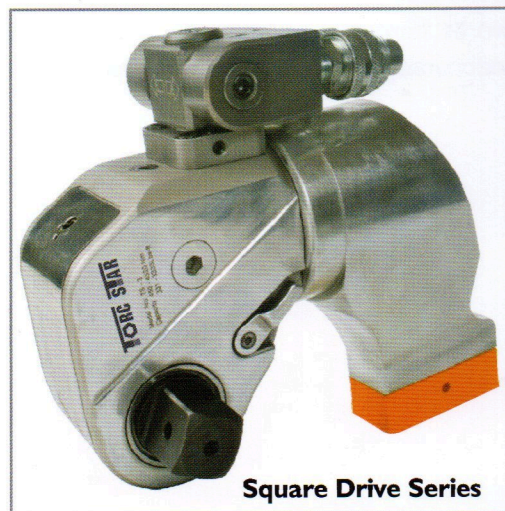




HYDRAULIC TORQUE WRENCHES

FEATURES :

- One-piece forming machine body made of aluminum titanium alloy, high strength, high tenacity and design to exert torque on toughest for a smaller operating radius
- 360° click-on, multi position reaction arm with accuracy $\pm 3\%$
- Light weight, ergonomic design for easy handling & an easy fit even in application where access is limited
- 60 free positions in 360°, easy positioning, capability of bearing the maximum torque at any angle
- Check pawl design critical for overcoming the back turn of the wrench, and improving both efficiency and torque precision
- A comparison list of pressures and torques on the dust cover for quick searching of torque value
- New type anti-loosening quick-acting coupling to ensure an unblocked oil path

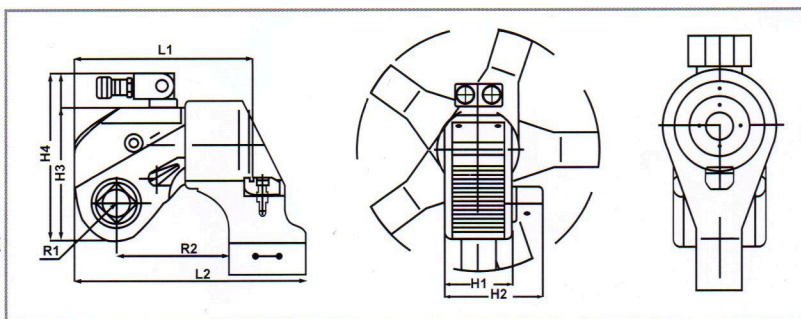


Square Drive Series

ACCESSORIES :

- Square Drives
- Extended Reaction Arm
- Customized Reaction Arm
- Impact Sockets

Note: Torc Star recommends use of Torc Star standard accessories ensuring precise performance & best suitability



SQUARE DRIVE TYPE

Model Nos	Units	THTW-2S	THTW-5S	THTW-8S	THTW-10S	THTW-15S	THTW-25S	THTW-35S	THTW-50S	THTW-70S
Square Drive	Inch	3/4	1	1.1/2	1.1/2	1.1/2	2.1/2	2.1/2	2.1/2	2.1/2
Torque Range	Nm	180-1810	450-4510	750-7520	1070-10800	1550-15510	2650-26600	3470-34750	4850-48600	7150-71499
	Ft.Lbs	135-1357	331-3333	553-5553	775-7965	1106-11450	1917-19675	2551-25630	3611-36113	5324-53248
Body Length (L1)	mm	142	175	210	222	244	305	324	370	400
	inch	5.59	6.88	8.26	8.74	9.6	12	12.75	14.6	15.75
Overall length (L2)	mm	170	230	270	290	316	382	400	465	516
	inch	6.81	9.01	10.62	11.49	12.48	15.00	15.75	18.3	20.31
Tool Width (H1)	mm	50	68	80	90	100	120	135	152	160
	inch	1.97	2.68	3.15	3.54	3.94	4.72	5.31	5.98	6.30
Overall Width Includes Square drive(H2)	mm	71	95	122	134	142	182	200	216	222
	inch	2.83	3.7	4.84	5.2	5.59	7.2	7.87	8.5	8.74
Tool height (H3)	mm	95	125	148	167	181	220	246	282	290
	inch	3.77	4.96	5.88	6.57	7.16	8.66	9.68	11.1	11.415
Overall Height (H4)	mm	130	175	198	216	230	270	296	331	340
	inch	5.15	6.92	7.83	8.54	9.13	10.62	11.69	13.07	13.38
Tool Radius Around Bolt (R1)	mm	26	34	38	47	50	60	66	77	80
	inch	1.01	1.33	1.53	1.85	2	2.32	2.59	3.03	3.15
Reaction Reach (R2)	mm	85	115	137	152	154	185	199	240	260
	inch	3.34	4.48	5.39	6.02	6.06	7.32	7.83	9.48	10.23
Weight	Kg	2.5	5.0	8.0	11.0	15.2	26.5	35	50	87
	Lbs	5.5	11	17.6	24.2	33.44	57.2	74.8	110	191.4



Please observe safety advices