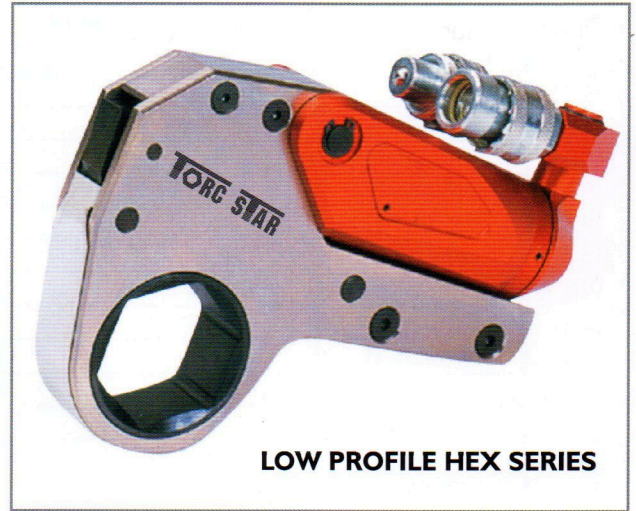




DIRECT HEX TYPE

FEATURES :

- Cylinders & low profile cassettes have been engineered to give ultra slim compact low clearance tooling with a small nose radius
- Novel anti-loosening quick-acting coupling to ensure an unblocked oil path
- 360°*180° rotary oil pipe joint, no limit on the application space, convenient operation
- One-piece forming machine body made of aluminum titanium alloy, high strength, high tenacity, lightness and agility
- Check pawl design critical for overcoming the back turn of the wrench, and improving both efficiency and torque precision
- One-piece lengthened design, longer arm of force, comprehensively improved reliability
- Hollow design, more accurate torque and more convenience due to the direct action of wrench on nut
- Expanding the use range of the wrench through a transition piece
- Cover the nut size from 3/4" - 6.7/8"

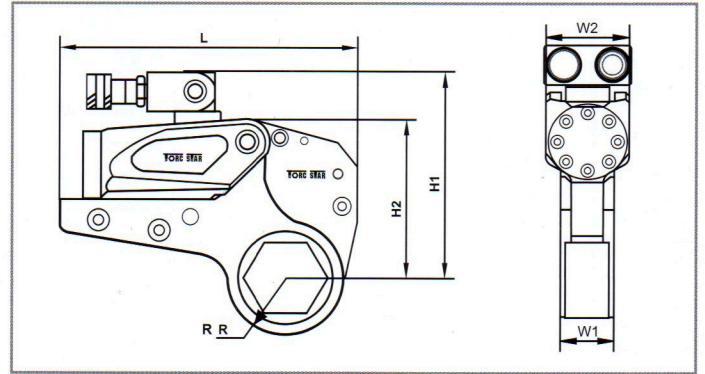


COMPATIBILITY : ANSI & API STANDARD flanges

NOTE: Customized Hex reducers for non-standard flanges.

ACCESSORIES

- Long Extended Reaction Arm
- Square drive adapter kit.
- Hex Reducers
- Stack Socket / Insert Socket



Model Nos	Units	THTW-2H	THTW-6H	THTW-8H	THTW-20H	THTW-45H
Torque Range	Nm	230-2410	580-6470	1090-11770	1850-18520	4180-44600
	Ft.Lbs	172-1935	400-4800	777-8726	1370-13722	3038-33038
Nut on the side	mm	19-60	34-80	41-105	50-117	110-175
	inch	¾-2.3/8	1.5/16-3.1/8	1.5/8-4.1/8	2-4.1/2	4.1/4-6.7/8
Overall Length L	mm	196.4	246	301	361	441
	inch	7.7"	9.6	11.8	14.27	17.36
H1	mm	128.5	187	216	239	315
	inch	5.05	7.36	8.5	9.4	12.4
H2	mm	105	145.7	178	204	285
	inch	4.13	5.73	7	8.03	11.22
Width at the link W1	mm	32	42	53	64	85
	inch	1.25	1.625	2.1	2.55	3.34
Width at the cylinder W2	mm	51	66	83	99	131
	inch	2	2.59	3.26	3.89	5.15
Nose Radius (R)	mm	27 to 46	36 to 61	46 to 78	60 to 87	85 to 175
Weight	Kg	1	2	3.3	5.5	11.4
	Lbs	2.2	4.4	7.2	12.1	25.3
Ratchet Unit	Kg	1.7	4.6	8.4	11.6	30
	Lbs	3.7	10.1	18.4	25.5	66

